

TABLETOP CONTROLLER

For Converge Pro and XAP Professional Conferencing Platforms

An intuitive, cost-effective tabletop controller for ClearOne's Converge™ Pro and XAP® platforms. It greatly simplifies control of an audio conference without the need for a touch-screen panel control system. User-definable keys offer simple control of basic audio and presentation functions.



AN INTUITIVE,
AFFORDABLE
CONTROLLER
FOR CONVERGE
PRO AND XAP

APPLICATIONS

- Conference Rooms
- Boardrooms
- Courtrooms
- Distance Learning Facilities
- Training Rooms

- Programmable Functions:
- + Presenter mic +/-
 - + Lights on/off
 - + Projector on/off
 - + Screen up/down
 - + DVD/CD/VCR volume +/-
 - + Record call start/stop
 - + Other audio & presentation functions

ADVANTAGES

- Simple, Intuitive Operation**
- + Dial pad resembles telephone keypad for instant familiarity
 - + Users can start and run an audio conference call as easily as dialing a phone no training required
 - + Uses actual buttons instead of touch panel screen, which is less intimidating to untrained users
 - + Buttons are limited to essential audio conference, presentation, and room controls

Affordability

- + Costs less than touch-screen panel control systems
- + Simplified setup for user-definable keys saves programming time and expense compared to touch-screen panel control systems
- + Combined with Converge Pro or XAP, delivers affordable professional audio conferencing system solution

Room Control Flexibility

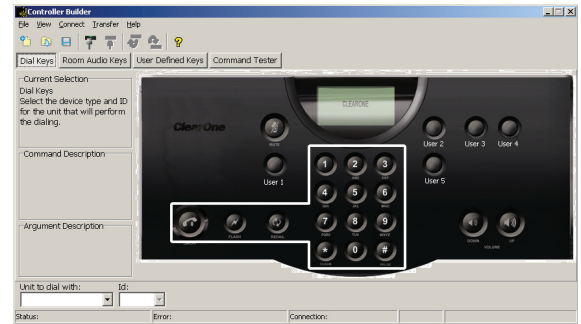
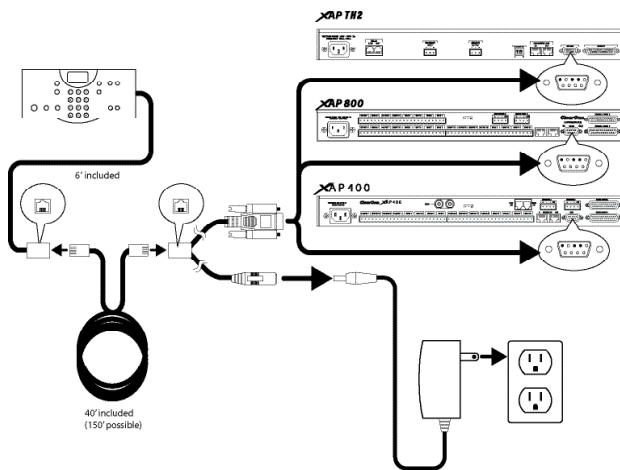
- + Offers full audio conference dialing functions and basic room audio control out of the box
- + Also offers five user-definable keys to manage the most commonly-used audio and presentation control functions, such as lights on/off, projector on/off, and screen up/ down.

Attractive, Functional Design

- + Sleek design fits perfectly on any boardroom table
- + Weighted base gives controller substantial feel
- + Pre-printed labels with common presentation, audio conference, and room control functions apply easily to user-definable keys

> COMPONENTS

TABLETOP CONTROLLER
Wired controller connects directly to serial port of Converge Pro 880, 840T, 8i, TH20, XAP 800, XAP 400, or XAP TH2, along with power source, using included Y-cable



CONTROLLER BUILDER SOFTWARE
Intuitive interface allows for simple configuration of user-definable keys--execute presets and macros on XAP or control third-party devices connected to XAP

> SPECIFICATIONS



Tactical Keypad

Dial Pad: 12 total buttons
Volume Controls: Up, Down
Call Functions: On/Off, Flash, Redial, Mute
User-defined Keys: 5 buttons

LCD

Display Type: 3-line 16-character matrix
Backlight: No

Microprocessor

Internal Memory
Serial Interface to other subassemblies
Master Reset

Connector

Tethered female RJ-11 female connector

Interface Cabling

Cable Type: CAT 3, CAT 5, or CAT 6 cabling
Cable Gauge: 24 gauge
Maximum Distance: 150 feet between mixer and Tabletop Controller

Communications

Type: DTE
Physical: RS-232
Baud Rate: Selectable (38.4 or 57.6K baud)
Flow Control: None

Power Supply

Primary Voltage: 100 to 240 VAC auto-sensing 50-60 Hz
Secondary Voltage: 12 VDC
Wattage: 5 watts
Average Current: 100 milliamps
Connection: Positive Center/Grounded Shield

Environmental

Operating Temperature: 32 to 122 degrees F
Humidity: 15 to 80%

Mechanical

Dimensions (WxDxH): 10.5" x 4.5" x 2.75"
Weight: 2.0 lb (.91 kg)

Part Number

910-151-891 Tabletop Controller

> CLEARONE LOCATIONS

Headquarters:
Salt Lake City, UT USA
5225 Wiley Post Way
Suite 500
Salt Lake City, UT 84116
Tel: 801-975-7200
Toll Free: 800-945-7730
Fax: 801-977-0087
sales@clearone.com

Latin America
Tel: 801-974-3621
global@clearone.com

EMEA
Tel: 44 (0) 1189 036 053
global@clearone.com

APAC
Tel: 801-303-3388
global@clearone.com